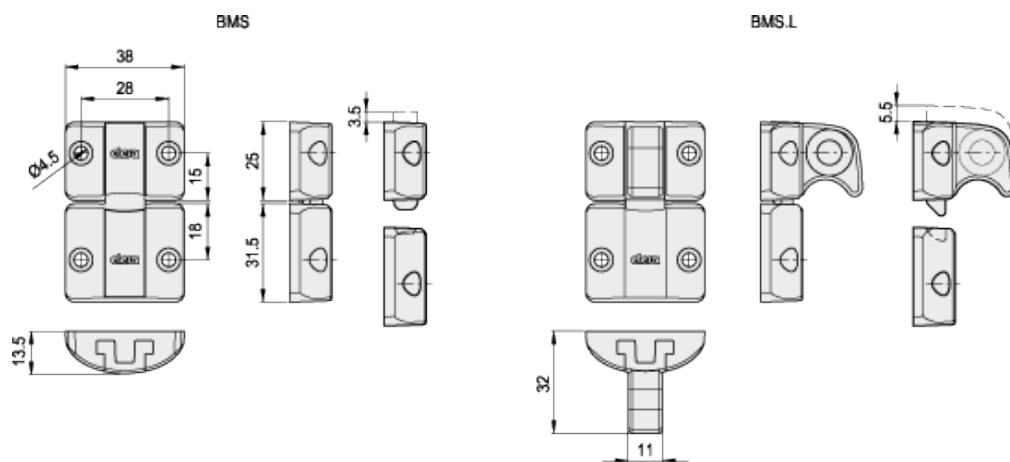


BMS

Snap door lock



ELESA Original design



technical informations

Material

Glass-fibre reinforced polyamide based (PA) technopolymer. Resistant to solvents, oils, greases and other chemical agents.

Colour

Black or grey RAL 7040 (C33), matte finish.

Spring

Stainless steel.

Standard executions

- BMS: snap lock and unlock.

It consists of a return spring and a fixing plate.

It is used for pull opening of doors by means of a handle.

- BMS.L: snap lock and lever for manual release.

It consists of a return spring for manual operation and a fixing plate.

It is used for pull opening of doors through the use of the release lever which also represents the handle grip.

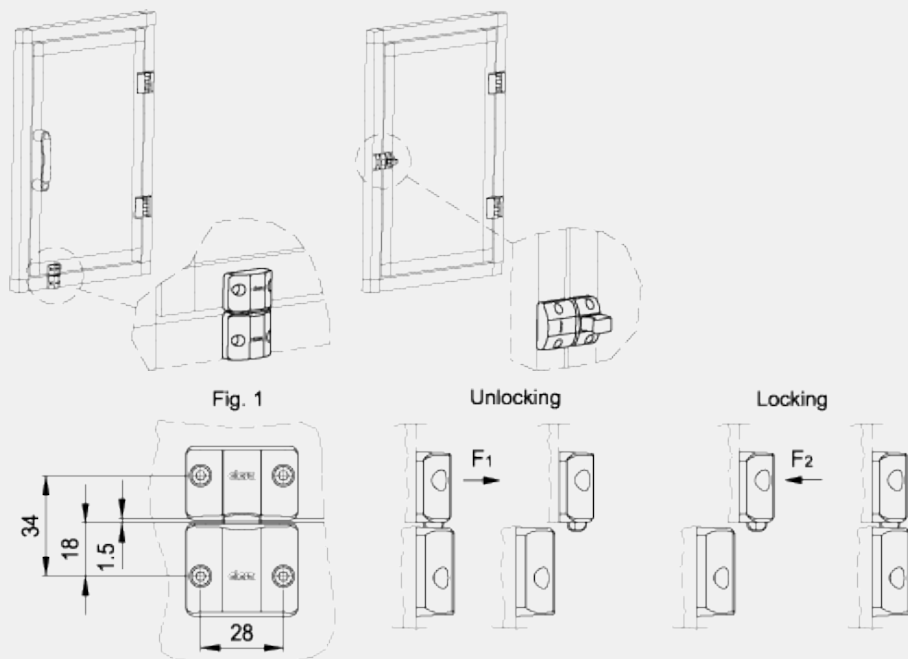
When the lever is locked, the maximum load at breakage of the door lock is = 2500 N.

Special execution on request

Door lock in white colour similar to RAL 9002

Features and applications

The snap door lock allows the closure of the swing doors in a quick and easy way. For the installation of a door lock, use M4 TCEI screws (not included in the supply).



Standard Elements		Opening strength	Closing strength	Weight
Code	Description	F1 [N] *	F2 [N] *	g
627001	BMS.32-25-CH4	100	60	23
627001-C33	BMS.32-25-CH4-C33	100	60	23
627006	BMS.L-32-25-CH4	-	25	27
627006-C33	BMS.L-32-25-CH4-C33	-	25	27

(*) Values referring to the installation with hole centre distance of 34 mm (Fig. 1)



ELESA and GANTER models all rights reserved in accordance with the law. Always mention the source when reproducing our drawings.

STANDARD MACHINE ELEMENTS WORLDWIDE